



BETTER BY DESIGN

Our Design Philosophy

- Simplicity of design
- Low weight
- Easy to control and handle
- Fast cutting speed
- Excellent cut and bagging performance
- Easy to service
- Low cost of total ownership



BETTER BY DESIGN

Mower Deck

Ybravo



- Stamped Steel deck
- Deep draw design
- High-Vacuum concept
- Optimized Cut Quality and bagging
- Simple bolt on parts

Toro



- Aluminum deck
- Subject to cracking
- Not optimized for bagging



BETTER BY DESIGN

Deck Wear Strips

Ybravo



- Hardened Steel wear strips
- Easily replaceable
- Protects deck from wear and damage

Toro



- Not available
- Deck subject to wear and damage from everyday trimming



Transmission

Ybravo



- 2 speed transmission
- Fastest groundspeed in class
- Wheel ratchets protected inside transmission

Toro



- 3 Speed Transmission
- Wheel ratchets not protected from dirt and rust typical of everyday commercial use



BETTER BY DESIGN

Wheel Ratchet Location

Ybravo



- Located inside the transmission
- Fully protected from the elements
- No service required

Toro



- Located at the wheels
- Fully exposed to dirt and rust of everyday commercial use
- Common failure point



Front Wheel Alignment

Ybravo



- Wheels supported and connected by heavy duty front axle
- Wheels remain straight and secure

Toro



- Wheels independently supported
- After a short period of commercial use, wheels are often loose and misaligned.



Cable Protection

Ybravo



- Cables routed inside of handle tubes
- Cables fully protected from typical snagging

Toro



- Cables stick out from handles
- Cables subject to snagging and damage from everyday commercial use



BETTER BY DESIGN

Handle Mounting System

Ybravo



- Spring Steel Clamps encircle the handle tube
- Handle tubes do not crush
- Handles remain secure

Toro



- Mounting bolts go thru the handle tube
- Handle tubes crush and loosen when you tighten bolts
- Handles are often loose



Handle Design and Shape

Ybravo



- Outside of handle tubes are smooth and snag free
- Top of handles are narrowed for easier turning in tight areas
- Snag free design

Toro



- Cables, hardware and clamps are on outside of handle tubes
- Snags on bushes, fence posts, etc.



Simplicity of Controls

Ybravo



- Dual Bail controls
- Top bail for engine/BBC control, bottom bail for drive
- Simple logical use

Toro

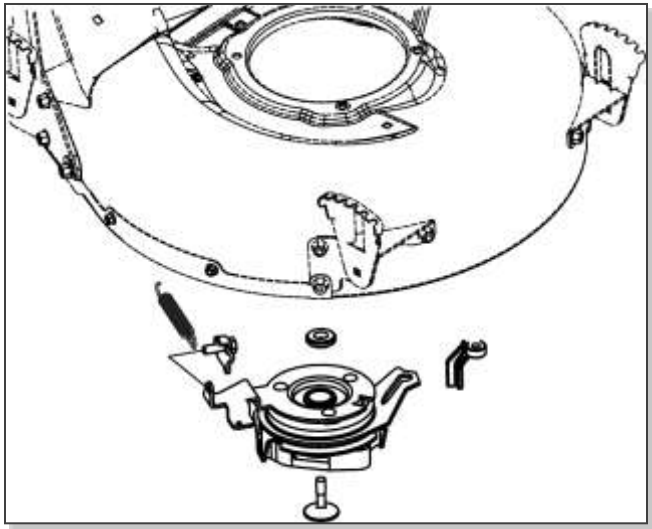


- Single Bail with combined function
- Can lead to adjustment issues for the cables



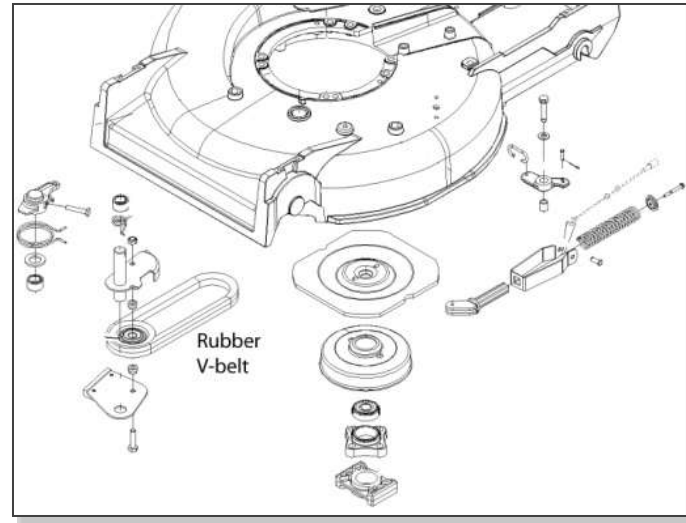
BBC System (select models)

Ybravo



- Self Contained Warner BBC clutch device
- No belts to slip
- No power loss to blade

Toro



- Belt and pulley system
- Belts can slip
- Can result in loss of power to blade



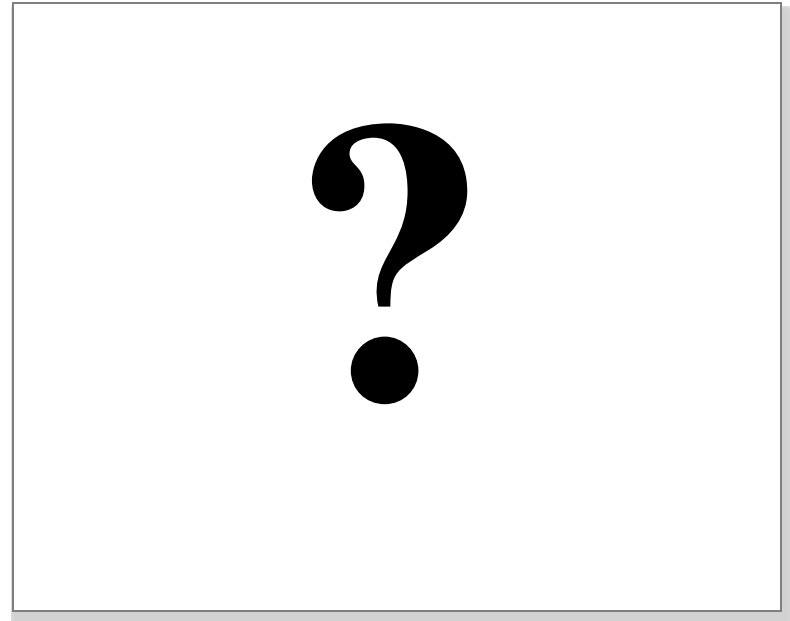
Hi-Vent Grass Bag

Ybravo



- Available as an optional accessory
- Ideal for wet cutting conditions
- Less clogging of the bag results in optimal bagging performance

Toro



- Not available



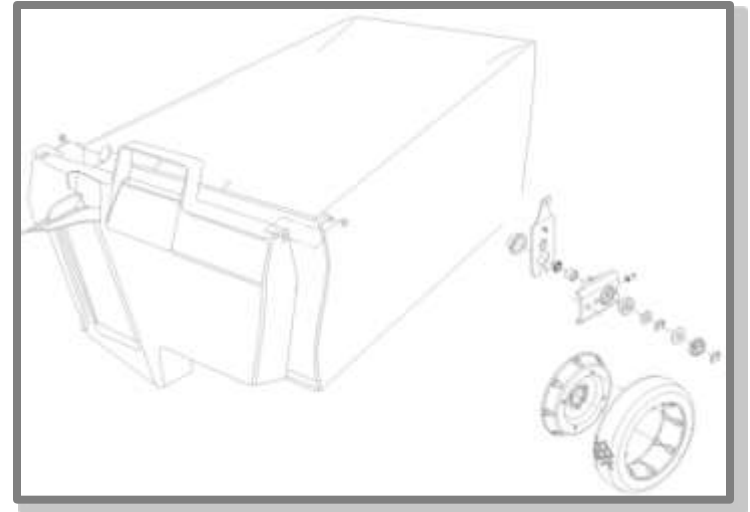
Spare Parts Pricing

Ybravo



- Very reasonable spare parts pricing
- Many parts up to 50% less expensive than typical competitors
- Lower long term cost of ownership

Toro



- Replacement parts can be expensive
- Common repairs are often quite expensive for the commercial user



BETTER BY DESIGN



Ybravo

BETTER BY DESIGN